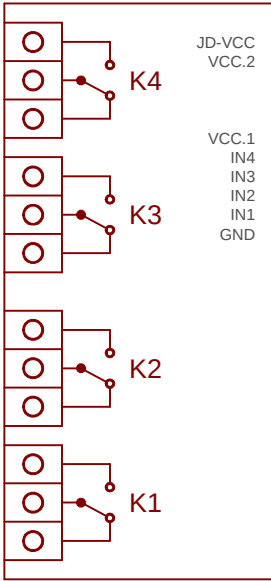
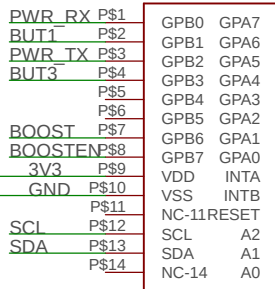


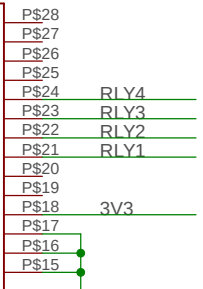
U\$3
RELAY-4-SRD



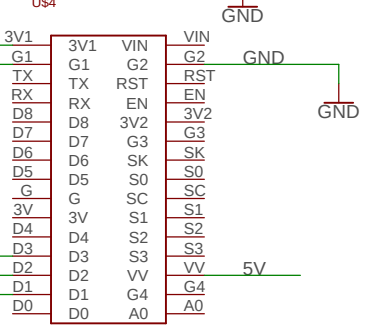
Portb
Cmdes internes



Porta
Sorties relais



U\$2



U\$5
RTC-EEPROM-BATTERY

